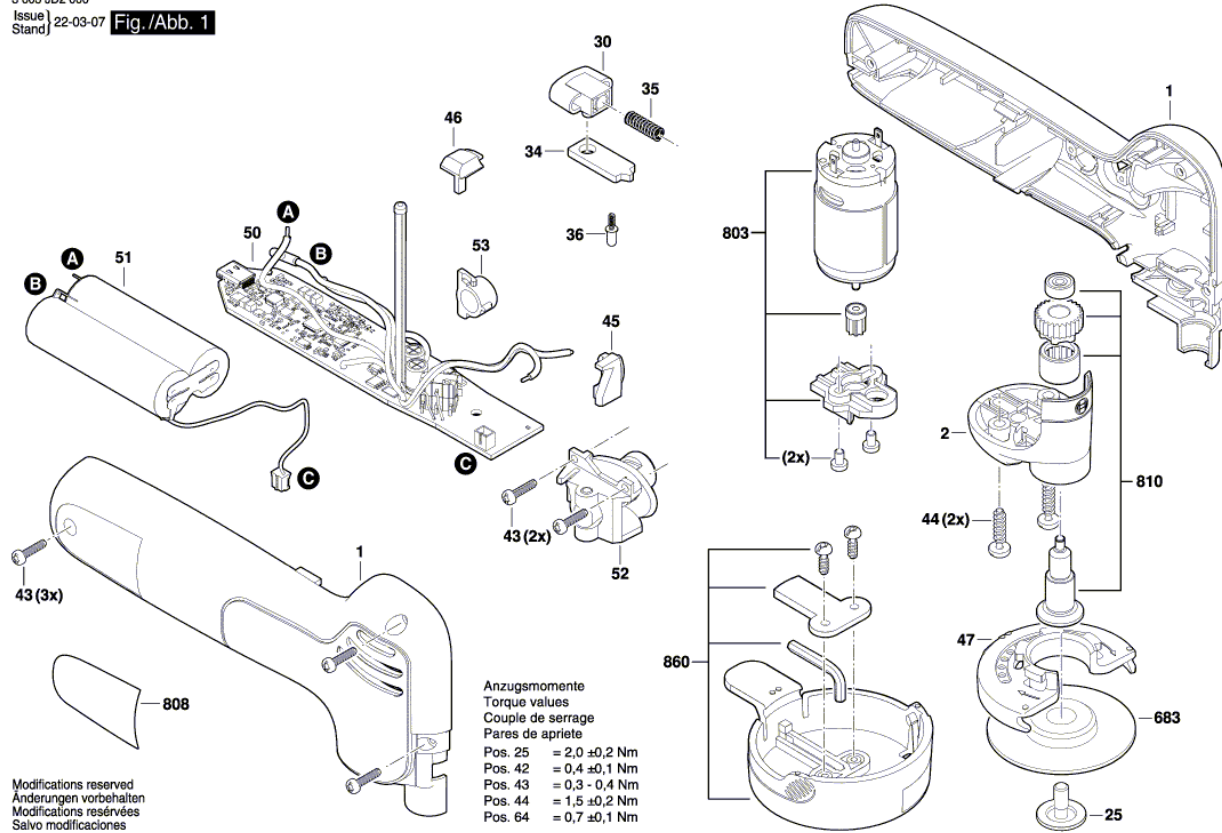


Illustration - Type - E

3 603 JD2 000
 Issue | 22-03-07
 Stand | **Fig./Abb. 1**



Spare parts list

Item	Part Number	Description	Illustration
1	1 600 A01 PR1	Housing	1
2	1 600 A01 PU2	base plate	1
25	1 600 A01 S0X	Clamping Nut	1
30	1 600 A01 R79	Button	1
34	1 600 A01 PC5	Rod	1
35	2 604 690 055	Compression Spring	1
36	1 600 A01 T4K	Spring Sleeve	1
43	2 609 110 361	Screw	1
44	2 603 490 022	Screw 4x16	1
45	1 600 A01 TJ6	Lens	1
46	1 600 A01 TJ7	Lens	1
47	1 600 A01 S96	Connection cover	1
50	1 600 A01 S36	Electronic Assembly	1
51	1 607 A35 0JW	Battery Set	1
52	1 600 A02 1U3	Switch Assembly	1
53	1 600 A01 S8K	Push Button	1
683	1 600 A01 U14	Sander Plate Ø 46mm	1
803	1 607 000 E1A	DC motor	1
808	1 601 11A 8GG	Nameplate	1
810	1 607 000 E1B	Output Shaft	1
860	1 600 A01 U2Z	Covering hood	1